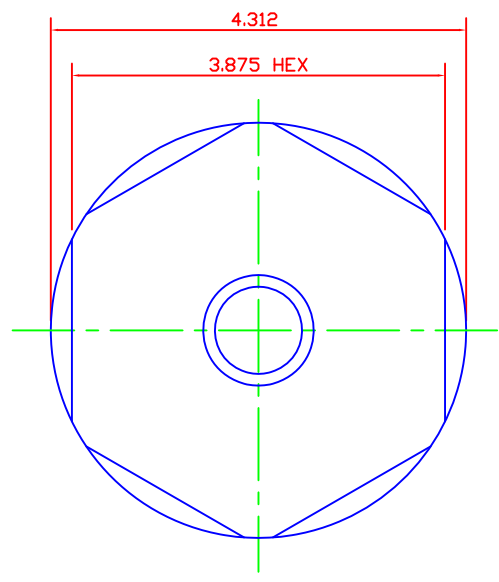
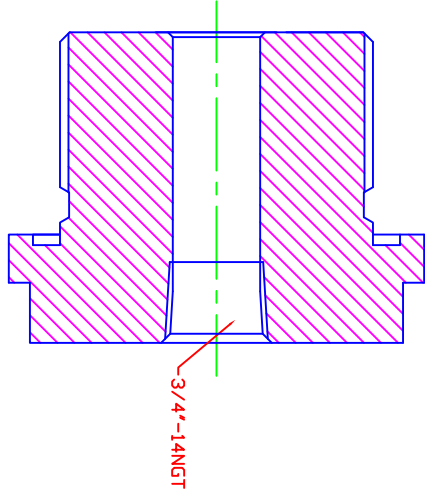
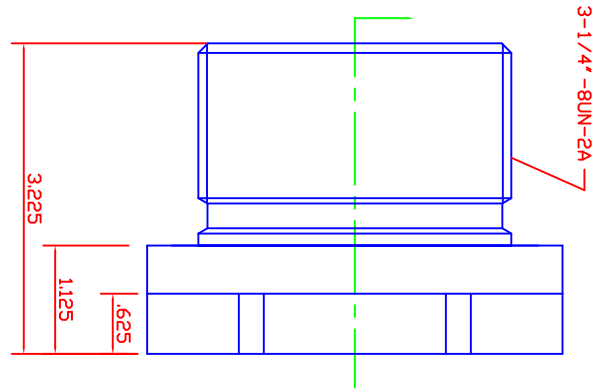


S. S. BULLPLUG		9146-101S	
DESCRIPTION		PART NO.	
DCH	9/26/96	304L STAINLESS STEEL	
DRAWN:	DATE	MATERIAL	
D Hatfield	9/26/96	APPROVED:	
CHECKED:	DATE	DATE	



REVISIONS	
2-19-01	3.225 WAS 2.625
1-05-05	3-1/4\"/>

9146-101S  
DRAWING NO.

WESTERN VALVE  
114 E. 46th Amarillo, Texas 79105 P. O. Box 2446 806-373-6811 fax 806-373-5971